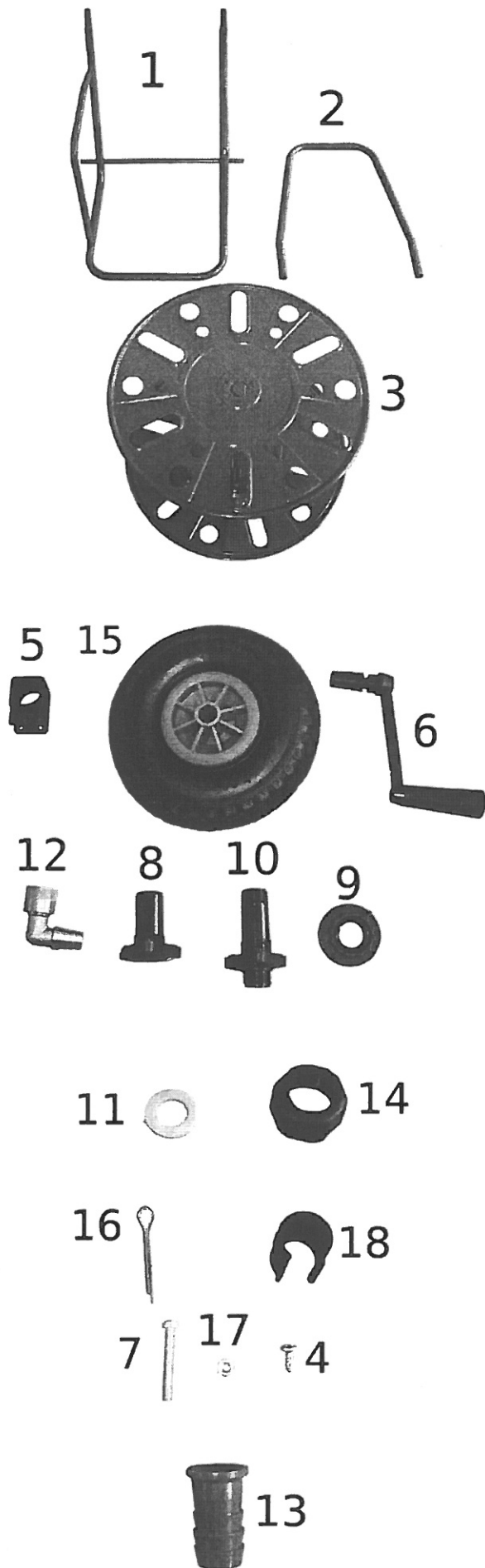


## SCHEDA COMPONENTI PARTS LAYOUT ART. 320 RG 410 RG



Posizione Position Nr.	Descrizione Description	Pezzi Pieces
1	Telaio Frame	1
2	Maniglia Handle	1
3	Avvolgitubo Hose reel	1
4 MPR0200	Vite autofilettante 3,9x9,5 Self-threading screw 3,9x9,5	1
5 MPR1050	Supporto Mounting	2
6 MPR1126	Manovella Crank	1
7 MPR0175	Vite 4 MA x 30 4 MA x 30 screw	4
8 MPR1152	Innesto manovella Crank coupling	1
9 MPR1153	Controdado Set screw	2
10 MPR1150	Raccordo di entrata Entry socket	1
11 MPR0101	Guarnizione 3/4" Gasket 3/4"	2
12 MPR0577	Raccordo curvo girevole 3/4" in ottone Revolving curved fitting 3/4" brass made	1
13 MPR1109	Portagomma diam. 19 Rubber holder diam. 19	1
14 MPR1077	Ghiera 3/4" 3/4" screwed ring	1
15 MPR1033	Ruota Wheel	2
16 MPR0025	Copiglia 3x25 Inox Stopping pin 3x25 stainless steel	2
17 MPR0054	Dado 4 MA 4 MA nut	4
18 MPR1038	Clip diam. 22 Plastic Feet	2



FABBRICA ARTICOLI PER IL GIARDINO  
FACTORY OF ARTICLES FOR THE GARDEN  
VIA STELVIO, 25 - 20010 VITTUONE - (MI)  
TEL. 39-02-901.11.020 FAX 39-02-901.11.158  
INTERNET: WWW.AGRATI.NET  
E-MAIL: INFO@AGRATI.NET